

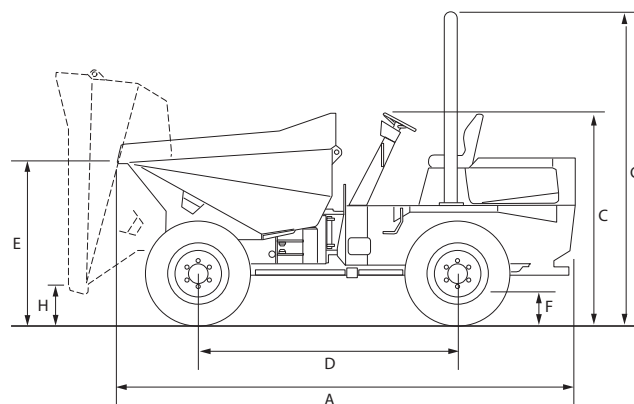
TEREX PT9000 SITE DUMPER

Performance

Payload	9,000 kg
Unladen weight	4,880 kg
Skip capacity - Water	2,360 ltr
- Struck	4,065 ltr
- Heaped	4,560 ltr
Engine	Cummins 4B4.5T
- Net power - kW (hp)	74.5 (99.0) @ 2200rpm
- Capacity	4.5 litres
- Maximum torque	414 Nm
Tyre size	500/60x22.5x16ply High Flotation
Drive	4/4 Powershuttle with Torque Converter - permanent 4WD
Max travel speed - mph (kph)	17.4 (28.0)
Gradeability	20%
Fuel tank capacity	64 Litres
Hydraulic tank capacity	51 Litres

Hydraulic system (gear pump)

Flow rate	60 l/min
Operating pressure	172 bar



A	Total length	4,330 mm
B	Total width	2,500 mm
C	Height to top of steering wheel	2,530 mm
D	Wheelbase	2,450 mm
E	Height to front lip of Skip (untipped)	1,722 mm
F	Ground clearance	140 mm
G	Height to top of ROPS	3,342 mm
H	Height to front lip of bucket	430 mm
	Turning radius outside of bucket	6,000 mm
	Steering angle	+/- 30°
	Oscillation	+/- 10.5°

Electrical System

Voltage	12 V
Battery	100 Ah
Alternator	95 A

Braking System

Foot Brake	Oil immersed discs on front/rear
Parking Brake	Ratchet parking break - dry disc (gearbox)